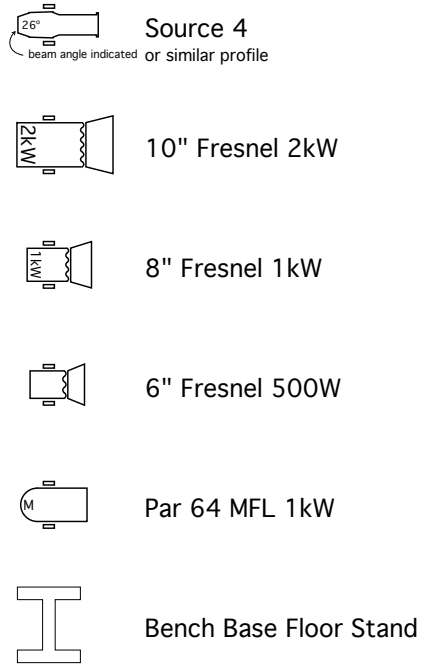
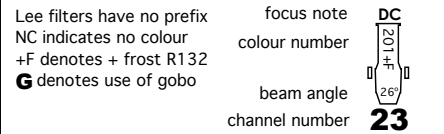


legend

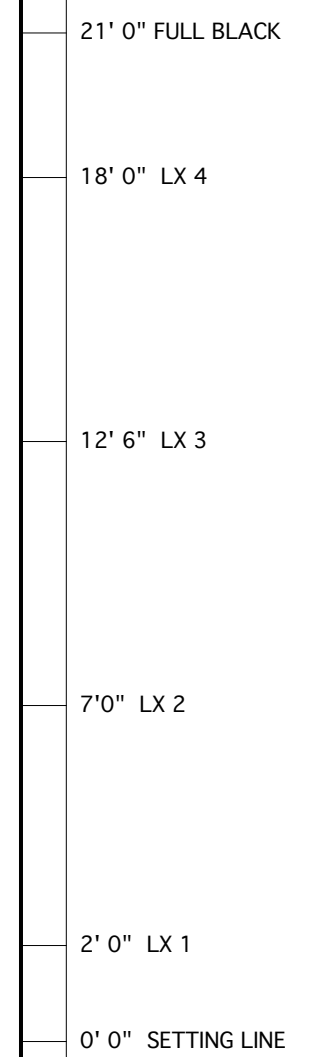
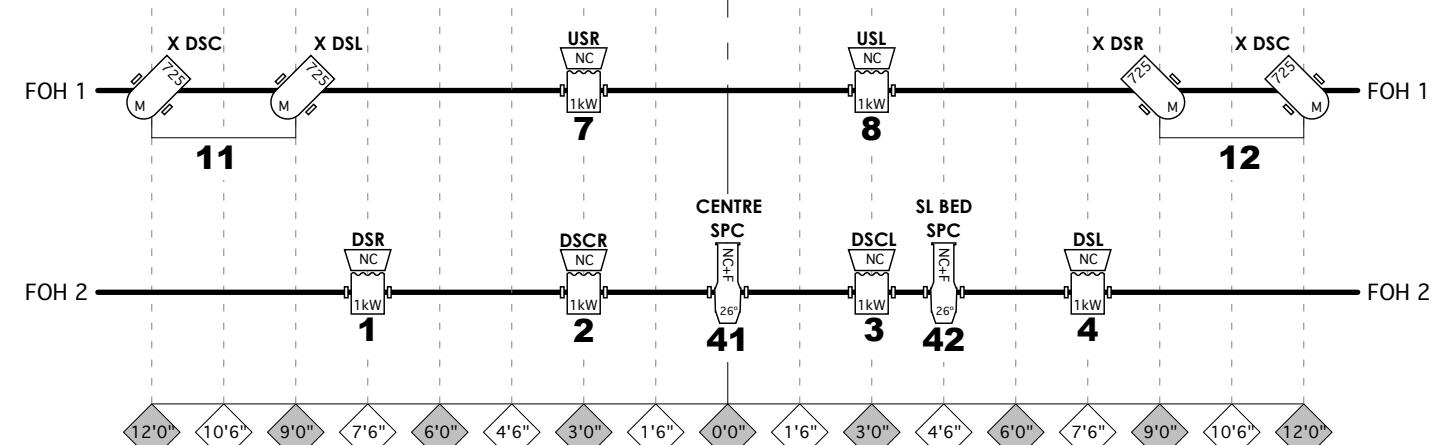
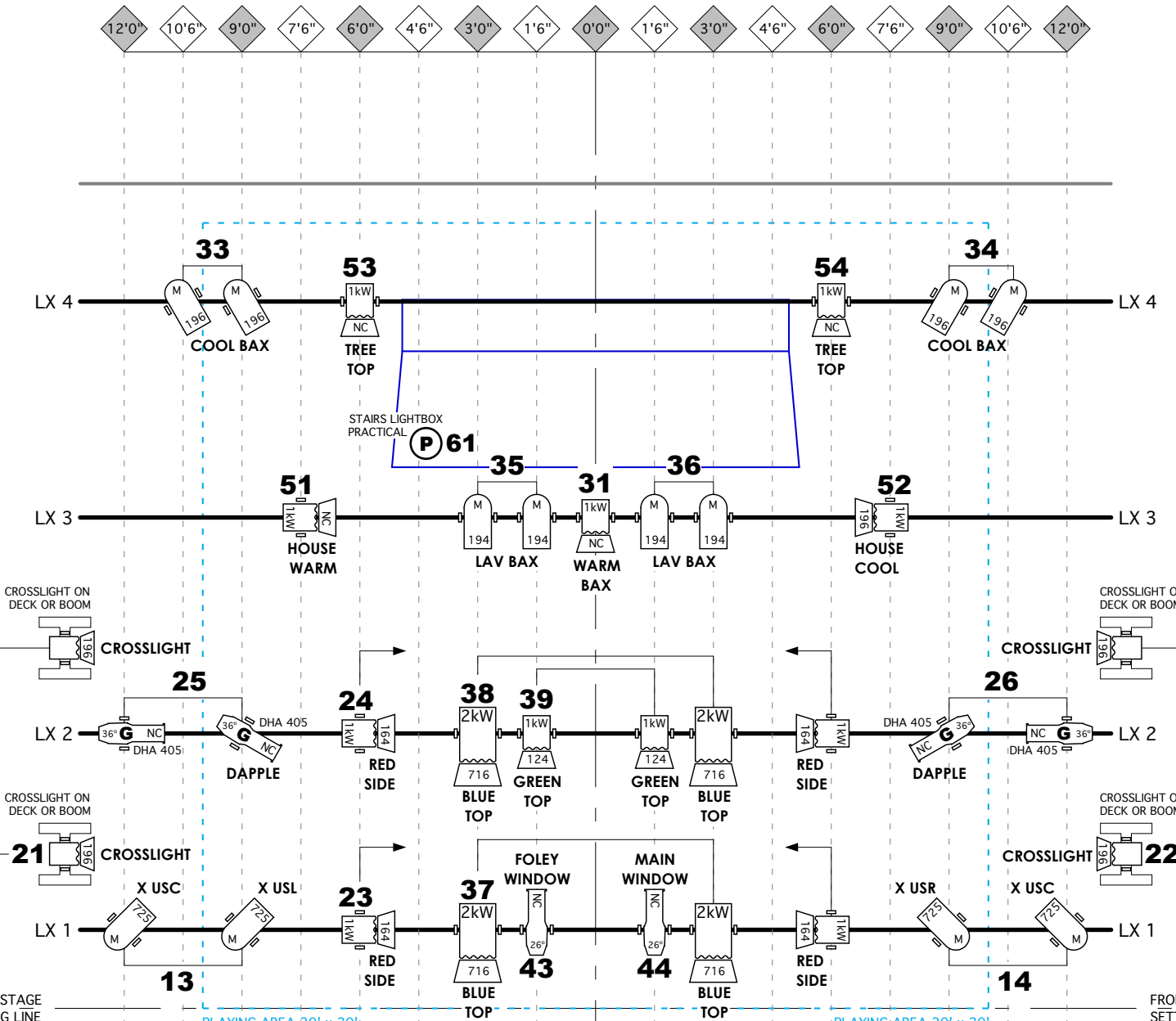


notation



notes

- boom heights are from deck to boom arm
- provide dimmer circuit USC on deck for practical light built into set



flying plot

james whiteside lighting design
www.jameswhiteside.com lighting@jameswhiteside.com

Tall Stories Theatre Company
Emily Brown and the Thing
from the picture book by Cressida Cowell, illustrated by Neal Layton

US Tour 2019 - Small Studio Version

directed by Olivia Jacobs
designed by Isla Shaw

drawn by jw	LP1	LIGHTING PLAN
DO NOT SCALE FROM THIS DRAWING	1/4":1' @Tabloid	US Tour version 07/12/18

This drawing represents a lighting design that is wholly owned by James Whiteside. This drawing and the lighting it represents are licensed to the above company ONLY in respect of the above performances, at the above theatres, on the above dates and for no other use whatsoever. ©James Whiteside 2014-18. All rights reserved.

THIS DRAWING REPRESENTS VISUAL CONCEPTS AND CONSTRUCTION SUGGESTIONS ONLY. THE LIGHTING DESIGNER IS UNQUALIFIED TO DETERMINE THE ELECTRICAL OR STRUCTURAL APPROPRIATENESS OF THE DESIGN AND WILL NOT ASSUME RESPONSIBILITY FOR IMPROPER ENGINEERING, CONSTRUCTION, HANDLING, INSTALLATION OR USE OF THE EQUIPMENT. ALL MATERIALS AND CONSTRUCTION MUST MEET THE MOST STRINGENT LOCAL SAFETY REQUIREMENTS.